

FLUSH & SEMI-FLUSH MOUNT

Finch Float Flush Mount Ceiling



DESCRIPTION

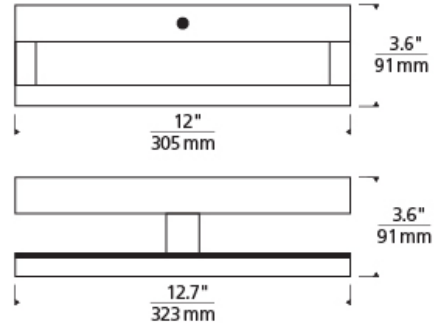
Clean lines and edge-lit LED light guide technology combine in this modern flush mount that "floats"™ just below the ceiling. Round includes 29 watt, 1230 net lumen, 3000K LED. Square includes 27 watt, 1450 net lumen, 3000K LED. Dimmable with low-voltage electronic dimmer.

INSTALLATION

This product can mount to either a 4" square electrical box with round plaster ring or an octagonal electrical box (not included).

WEIGHT

5.13lb / 2.33kg ±



round in antique bronze round in satin nickel square in antique bronze square in satin nickel

ORDERING INFORMATION

700FMFINF	SHAPE OR SIZE	FINISH	LAMP
R	ROUND	Z ANTIQUE BRONZE	-LED830 LED 3000K 80 CRI 120V
S	SQUARE	S SATIN NICKEL	-LED830-277 LED 3000K 80 CRI 277V

TECH LIGHTING®
 7400 Linder Avenue T 847.410.4400
 Skokie, Illinois 60077 F 847.410.4500

Tech Lighting, L.L.C.

700FMFINF _____

FIXTURE TYPE: _____

JOB NAME: _____

NOTES: _____
